

USER MANUAL

Jamo[®]

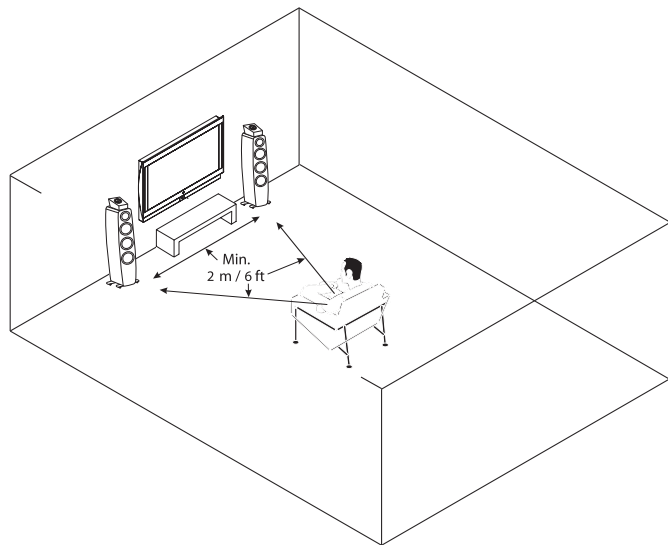
ATM 50

DOLBY ATMOS[®] CERTIFIED
ELEVATION MODULE

A decorative horizontal band consisting of a row of small grey dots above a solid dark grey rectangular bar.

PLACEMENT

POSITIONNEMENT • UBICACIÓN • PLATZIERUNG • COLLOCAZIONE • POSIÇÃO • 布置



Elevation Speaker with DOLBY ATMOS® TECHNOLOGY

ENCEINTE d'élevation AVEC LA TECHNOLOGIE DOLBY ATMOS®

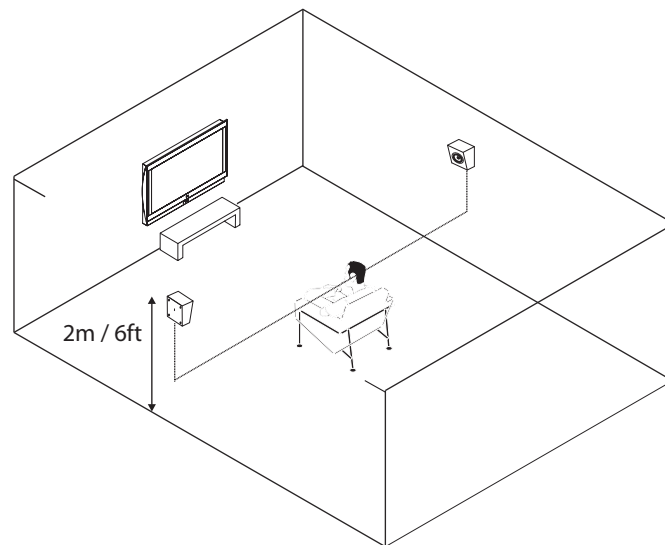
Altavoz de altura CON TECNOLOGÍA ATMOS® DE DOLBY

Elevation-lautsprecher MIT DOLBY ATMOS® TECHNOLOGIE

Diffusore elevato CON TECNOLOGIA DOLBY ATMOS®

caixa acústica de elevação COM TECNOLOGIA DOLBY ATMOS®

仰角音箱采用 DOLBY ATMOS® 技术的



SURROUND SPEAKERS

Enceinte surround

ALTAVOZ surround

SURROUND-LAUTSPRECHER

ALTOPARLANTE SURROUND

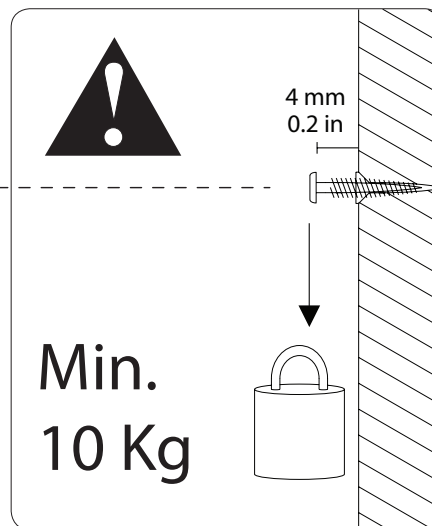
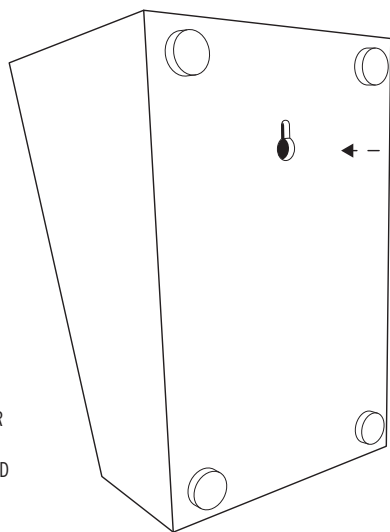
CAIXA ACÚSTICA SURROUND

环绕声音箱

SETUP

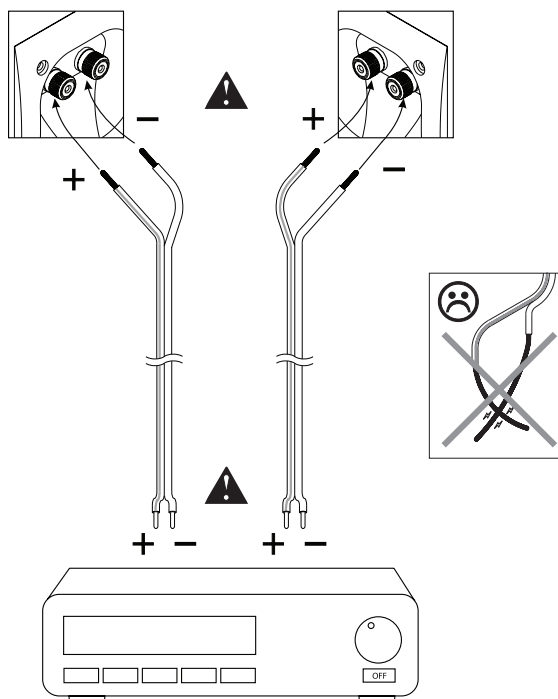
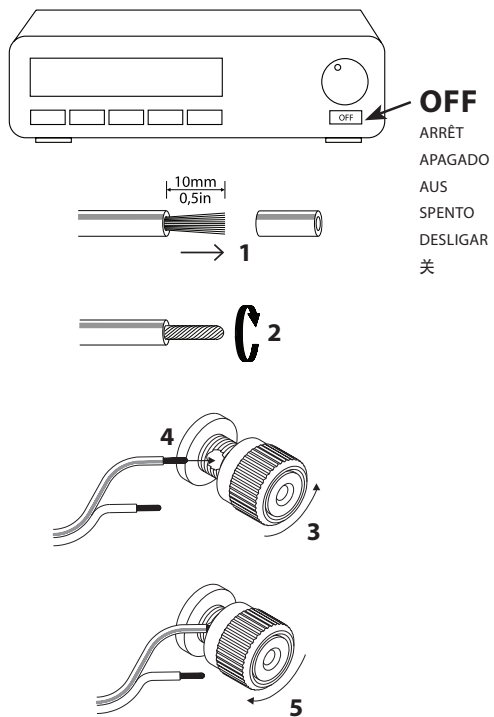
INSTALLATION • CONFIGURACIÓN • INSTALLATION • APPONTAMENTO • INSTALAÇÃO • 设置

SURROUND SPEAKERS
Enceinte surround
ALTAVOz surround
SURROUND-LAUTSPRECHER
ALTOPARLANTE SURROUND
CAIXA ACÚSTICA SURROUND
环绕声音箱



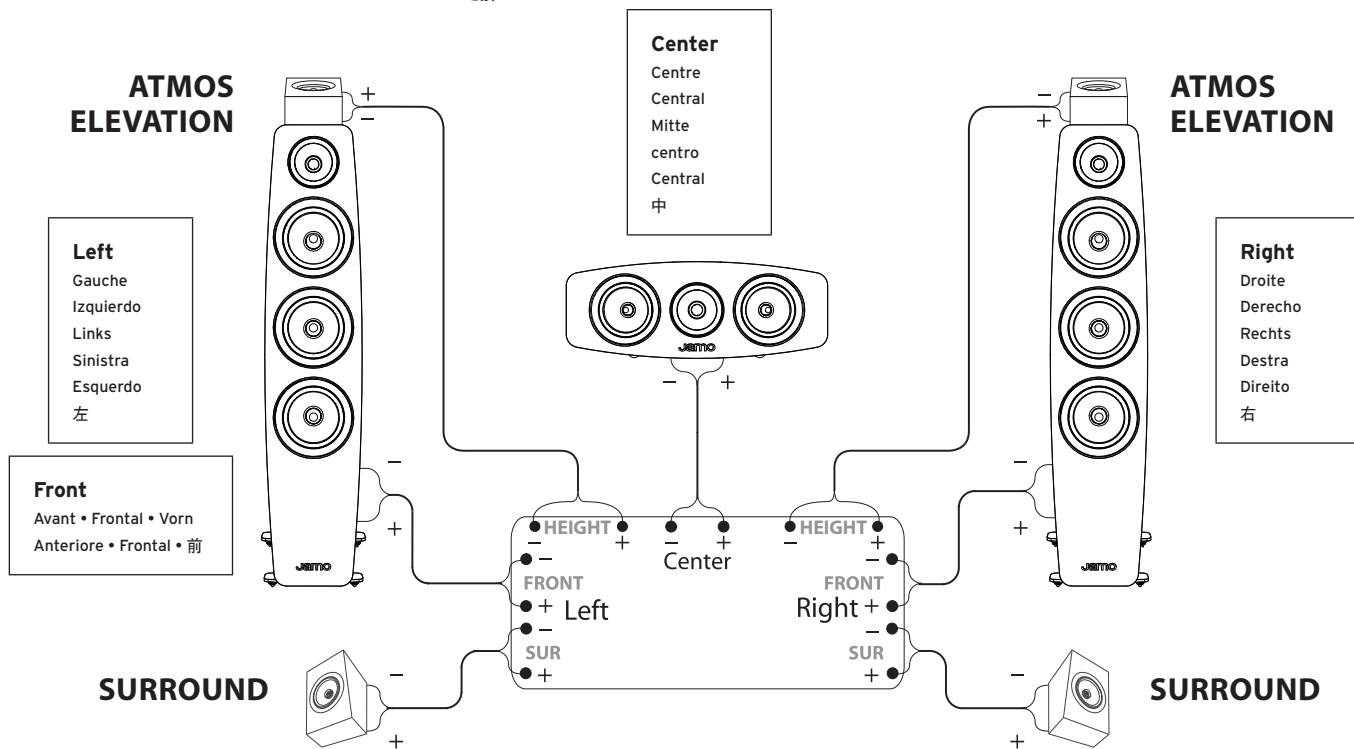
SETUP

INSTALLATION • CONFIGURACIÓN • INSTALLATION • APPONTAMENTO • INSTALAÇÃO • 设置



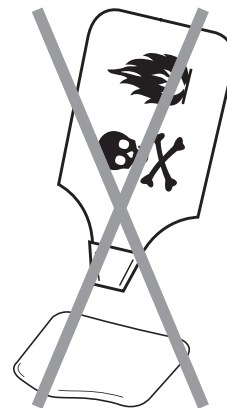
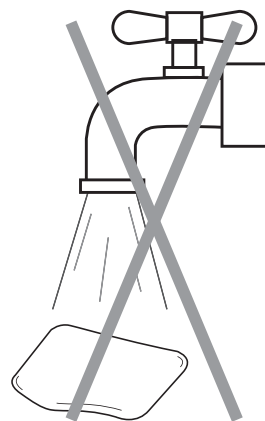
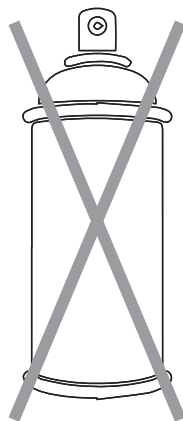
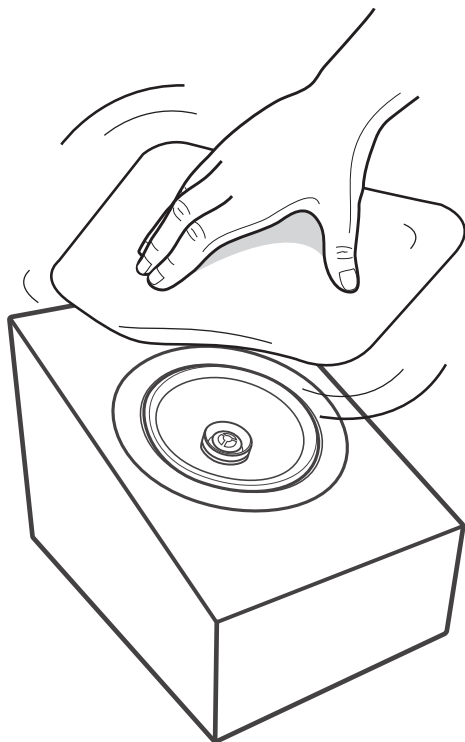
CONNECTIONS

BRANCHEMENTS • CONEXIONES • ANSCHLÜSSE • CONNESSIONI • CONEXÕES • 连接



CARE AND CLEANING

ENTRETIEN ET NETTOYAGE · CUIDADO Y LIMPIEZA · PFLEGE UND REINIGUNG · CURA E PULIZIA · CUIDADOS E LIMPEZA · 保养与清洁





Jamo®

jamo.com



©2014 Klipsch Group, Inc. All Rights Reserved
Jamo is a trademark of Klipsch Group, Inc., registered in the US and other countries.
Engineered by Klipsch Group, Inc., USA, Product of China
A Wholly-Owned Subsidiary of VOXX International Corporation
1-800-554-7724 • 3502 Woodview Trace, Indianapolis, IN USA 46268-1104